

**PRODUCT SPECIFICATIONS**

Elkay Stainless Steel 20-3/8" x 12" x 1/2", Service Sink Panel.  
Overall dimensions are 20-3/8" x 12" x 1/2". Made of 304 Stainless Steel.

<b>Material:</b>	304 Stainless Steel
<b>Finish:</b>	Buffed Satin
<b>Gauge:</b>	18
<b>Dimensions:</b>	20-3/8" x 12" x 1/2"
<b>Shipping Weight:</b>	6 lbs.

**Special Note:** For use with EFS3321C

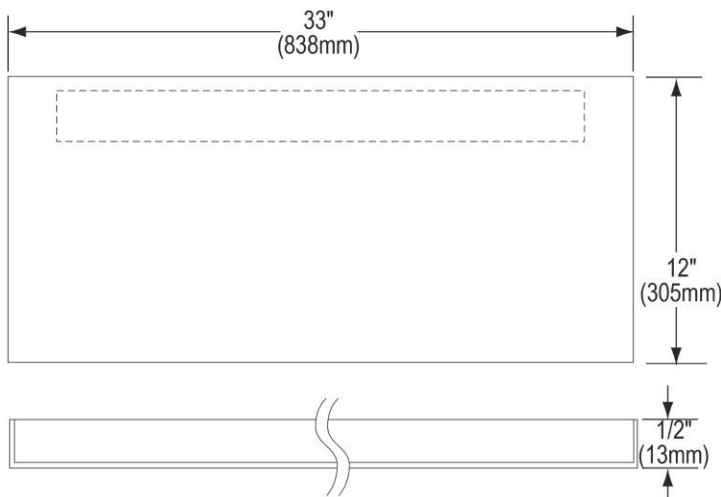
- For use on EFS model floor sinks.
- 18-gauge, Type 304 stainless steel.
- 1/2" returns on all sides.
- Furnished with concealed wall hangers.
- Protects walls from splashing.
- Easy to clean and sanitize.



A Century of Tradition and Quality.  
For more than 100 years, Elkay has been making innovative products and providing exceptional customer care. We take pride in offering plumbing products that make life easier, inspire change and leave the world a better place.



[Clean and Care Manual \(PDF\)](#)  
[Warranty \(PDF\)](#)



PART: \_\_\_\_\_ QTY: \_\_\_\_\_  
 PROJECT: \_\_\_\_\_  
 CONTACT: \_\_\_\_\_  
 DATE: \_\_\_\_\_  
 NOTES: \_\_\_\_\_  
 APPROVAL: \_\_\_\_\_

*In keeping with our policy of continuing product improvement, Elkay reserves the right to change product specifications without notice. Please visit [elkay.com](http://elkay.com) for the most current version of Elkay product specification sheets. This specification describes an Elkay product with design, quality, and functional benefits to the user. When making a comparison of other producers' offerings, be certain these features are not overlooked.*